

Specifications

DP/GP40K
DP/GP40KL
DP/GP45K
DP/GP50K

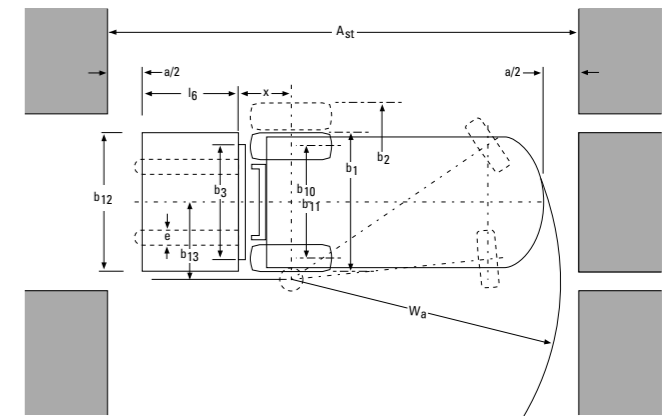
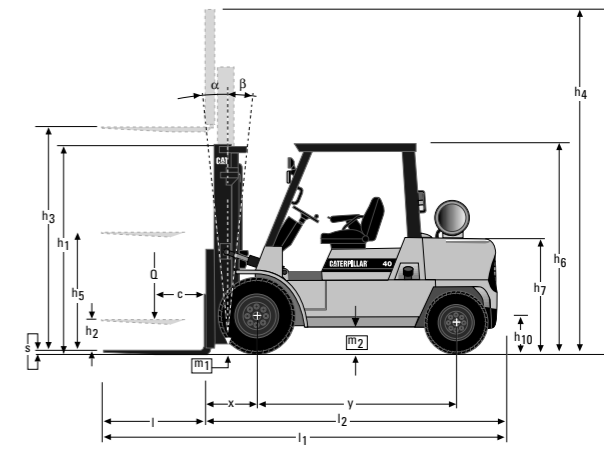
CAT Lift
Trucks



Engine powered lift trucks
4.0 - 5.0 tonnes

Characteristics		Cat Lift Trucks		Cat Lift Trucks		Cat Lift Trucks		Cat Lift Trucks	
		DP40K	GP40K	DP40KL	GP40KL	DP45K	GP45K	DP50K	GP50K
		Diesel	LPG	Diesel	LPG	Diesel	LPG	Diesel	LPG
1.01	Manufacturer (abbreviation)	Seated		Seated		Seated		Seated	
1.02	Manufacturer's model designation	4 (3.5)		4 (4.5)		4.5 (5)		5	
1.03	Power source: (Diesel, LP Gas)	500 (600)		600 (500)		600 (500)		600	
1.04	Operator type: pedestrian, (operator)-standing, -seated	557		557		562		582	
1.05	Lifting capacity	2000		2000		2000		2150	
1.06	At load centre	5710		5970		6680		7160	
1.07	Load distance	8580/990		8860/1260		9740/1440		10710/1450	
1.08	Wheelbase	2460/3110		2550/3570		2440/3530		2620/4060	
1.09	Weight	2960/4200		2960/4200		2390/4140		2960/4200	
2.01	Truck weight, without load	7050		7050		7050		7050	
2.02	Axle loading with rated load, front/rear	10650/1400		10650/1400		10650/1400		10650/1400	
2.03	Axle loading without load, front/rear	2900/4150		2900/4150		2900/4150		2900/4150	
Wheels, Drive Train		L/L		L/L		L/L		L/L	
3.01	Tyre type: V=solid, L=pneumatic, SE=solid pneumatic - F/R	8.25 x 15-14 PR		300 x 15-18 PR		300 x 15-18 PR		300 x 15-18 PR	
3.02	Tyre dimensions, front	7.00 x 12-14PR		7.00 x 12-14PR		7.00 x 12-14PR		7.00 x 12-14PR	
3.03	Tyre dimensions, rear	2x/2		2x/2		2x/2		2x/2	
3.05	Number of wheels, front/rear (x=driven)	1175		1175		1175		1175	
3.06	Distance between centreline of tyres, front	1180		1180		1180		1180	
3.07	Distance between centreline of tyres, rear								
Dimensions									
4.01	Mast tilt, forwards/backwards	6/10		6/10		6/10		6/10	
4.02	Height with mast lowered	2320		2320		2400		2400	
4.03	Standard free lift	100		100		100		100	
4.04	Standard lift height	3300		3300		3300		3300	
4.05	Overall height with mast raised	4570		4570		4570		4590	
4.07	Height to top of overhead guard	2250		2250		2250		2250	
4.08	Seat height	1093		1093		1093		1093	
4.12	Tow coupling height	420		420		420		420	
4.19	Overall length	4290		4340		4395		4525	
4.20	Length to fork face (includes fork thickness)	3070		3120		3175		3305	
4.21	Overall width (single/dual tyres)	1415/1965		1460/1965		1460/1965		1460/1965	
4.22	Fork dimensions (thickness, width, length)	50,150, 1220		50,150, 1220		50,150, 1220		60,150, 1220	
4.23	Fork carriage to DIN 15 173 A/B/no	3A		3A		3A		3A	
4.24	Fork carriage width	1190		1190		1190		1190	
4.31	Ground clearance under mast, with load	150		150		150		150	
4.32	Ground clearance centre of wheelbase, with load	252		252		252		252	
4.33	Working aisle width with 1000 x1200 mm pallets	4492		4532		4582		4747	
4.34	Working aisle width with 800 x1200 mm pallets	4292		4332		4382		4547	
4.35	Turning circle radius	2735		2775		2830		2965	
4.36	Minimum distance between centres of rotation	870		870		870		965	
Performance									
5.01	Travel speed, with/without load	17,5 / 19,5		18 / 19,5		17,5 / 19,5		21,5(12,5*) / 23,5(13,5*)	
5.02	Lifting speed, with/without load	5.00 / 5.20		5.10 / 5.10		4.30 / 4.50		4.40 / 4.40	
5.03	Lowering speed, with/without load	5.00 / 5.00		5.00 / 5.00		5.00 / 5.00		5.00 / 5.00	
5.05	Rated drawbar pull, with/without load	19400 / 17500		24000 / 17000		19000 / 17000		24000 / 18000	
5.07	Gradeability, with/without load	20.6 / 27.1		26.8 / 27.4		20.5 / 25.5		23.0 / 22.3	
5.09	Acceleration time, with/without load (0 -15 m)	N/A		N/A		N/A		N/A	
5.10	Service brakes (mechanical/hydraulic/electric/pneumatic)	Hydraulic		Hydraulic		Hydraulic		Hydraulic	
I.C. Engine									
7.01	Manufacturer/Type	MHI / S6S		MHI / S6S		MHI / S6S		MHI / S6S	
7.02	Rated output B to ISO 1585	60.3		72		60.3		72	
7.03	Rated speed to DIN 70020	2450		2450		2450		2450	
7.04	Number of cylinders/displacement	6 / 4996		6 / 4500		6 / 4996		6 / 4500	
7.05	Fuel consumption according to VDI cycle	N/A		N/A		N/A		N/A	
Miscellaneous									
8.01	Type of drive control	Powershift 1/1		Powershift 1/1		Powershift 1/1		Powershift 2/2	
8.02	Operating pressure for attachments	191		191		191		191	
8.03	Oil flow for attachments	N/A		N/A		N/A		N/A	
8.04	Noise level, mean value at operator's ear	81		79		81		79	
8.05	Towing coupling design/DIN type, ref.	Pin		Pin		Pin		Pin	

* 1st. speed



$$A_{st} = W_a + x + l_6 + a$$

- A_{st} = Working aisle width with load
- a = Safety clearance (200 mm)
- l₆ = Pallet length (800 or 1000 mm)
- b₁₂ = Pallet width (1200 mm)

Low Cost of Ownership

- Anti-clogging cooling system ensures optimal engine temperature for long life and low maintenance costs.
- High air intake in the overhead guard for reduction of maintenance.
- Tangible grease points ensure durability in the toughest environments.
- DP/GP 40K, 40KL and 45K boast capacity ratings of 500mm and 600mm.
- Quality engineering for long life, utter reliability and low handling costs.

Safety & Ergonomics

- Range of high visibility Simplex, Duplex and Triplex masts for precise application match and safe load handling.
- Adjustable fingertip hydraulic control for effortless and precise load handling.
- Auto-light switch when entering dark spaces for safe material handling.
- Small diameter steering wheel on adjustable steer column.
- Hydrostatic steering for precise manoeuvring.

Unmatched Productivity

- Enhanced performance and minimal noise and exhaust emissions.
- Sophisticated LPG engine management and protection system.
- Advanced fuel and ignition system reduces the need for engine tuning.
- 500 Hours service intervals.

Useful Options

- Hydraulic relief valve kit.
- Brake booster filter kit.
- Greasable universal joint.
- Hi-speed fan.
- Speed limit option for LPG.
- Lockable fuel cap.



Cat® Lift Trucks.

Your partner in materials handling.

DP/GP40K, DP/GP40KL					DP/GP40K		DP/GP40KL		
Mast Type	h3 mm	h1 mm	h4 mm	h2	h5	Q @ c=500mm kg	Q @ c=600mm kg	Q @ c=500mm kg	Q @ c=600mm kg
				mm					
Simplex	3000	2170	4270	100		4000	3500	4500	4000
	3300	2320	4570	100		4000	3500	4500	4000
	3700	2520	4970	100		4000	3500	4500	4000
	4000	2700	5270	100		4000	3500	4500	4000
	4500	3000	5770	100		4000	3500	4500	4000
	5000	3250	6270	100		4000	3500	4500	4000
	5500	3500	6770	100		3700*	3500*	4300*	4000*
6000	3750	7270	100		3600*	3400*	4100*	3900*	
Duplex	3000	2170	4265	905		4000	3500	4500	4000
	3300	2320	4565		1055	4000	3500	4500	4000
	3700	2520	4965		1255	4000	3500	4500	4000
	4060	2700	5325		1435	4000	3500	4500	4000
Triplex	3700	1950	4965		685	4000	3500	4500	4000
	4000	2050	5265		785	4000	3500	4500	4000
	4360	2170	5625		905	4000	3500	4500	4000
	4700	2285	5965		1020	4000	3500	4500	4000
	5050	2400	6315		1135	3900	3500	4500	4000
	5500	2550	6765		1285	3700*	3400*	4200*	4000*
	6000	2750	7265		1485	3600*	3300*	4100*	3800*
	6500	2950	7765		1685	3200*	3200*	4100*	3200*
7000	3150	8265		1885	2400*	2400*	4100*	2400*	

Mast Performance and Capacity

- h1 Height with mast lowered
- h2 Standard free lift
- h3 Lift height
- h4 Height with mast raised
- h5 Full free lift
- Q Lifting capacity, rated load
- c Load centre (distance)

* Capacities shown require truck equipped with dual tyres. Consult your dealer for the maximum back tilt allowed, to obtain the capacities specified.

Cat Lift Trucks is renowned for its worldwide distribution network, but you will always find an experienced and dedicated team of professionals close to you. Individuals committed to helping you maximise profits. With Cat Lift Trucks, your investment is in safe hands.

DP/GP45K							
Mast Type	h3 mm	h1 mm	h4 mm	h2	h5	Q @ c=500mm kg	Q @ c=600mm kg
				mm			
Simplex	3000	2250	4270	100		5000	4500
	3300	2400	4570	100		5000	4500
	3700	2600	4970	100		5000	4500
	4000	2850	5270	100		5000	4500
	4500	3100	5770	100		5000	4500
	5000	3350	6270	100		5000*	4500
	5500	3600	6770	100		4900*	4500*
	6000	3850	7270	100		4200*	4200*
Duplex	2970	2250	4230		985	5000	4500
	3280	2400	4540		1135	5000	4500
	3480	2500	4740		1235	5000	4500
	4080	2850	5340		1585	5000	4500
Triplex	3700	2050	4965		785	5000	4500
	4040	2170	5305		905	5000	4500
	4310	2260	5575		995	5000	4500
	4750	2400	6015		1135	5000	4500
	5050	2500	6315		1235	5000*	4500
	5500	2650	6765		1385	4800*	4500*
	6000	2850	7265		1585	4200*	4300*
	6500	3050	7765		1785	3200*	3200*
7000	3250	8265		1985	2400*	2400*	

DP/GP50K							
Mast Type	h3 mm	h1 mm	h4 mm	h2	h5	Q @ c=500mm kg	Q @ c=600mm kg
				mm			
Simplex	3000	2250	4290	100		–	5000
	3300	2400	4590	100		–	5000
	3700	2600	4990	100		–	5000
	4000	2850	5290	100		–	5000
	4500	3100	5790	100		–	5000
	5000	3350	6290	100		–	5000*
	5500	3600	6790	100		–	5000*
	6000	3850	7290	100		–	4300*
Duplex	2970	2250	4250		965	–	5000
	3280	2400	4560		1115	–	5000
	3480	2500	4760		1215	–	5000
	4080	2850	5360		1565	–	5000
Triplex	3700	2050	4980		765	–	5000
	4040	2170	5320		885	–	5000
	4310	2260	5590		975	–	5000
	4750	2400	6030		1115	–	5000
	5050	2500	6330		1215	–	5000*
	5500	2650	6780		1365	–	5000*
	6000	2850	7280		1565	–	4300*
	6500	3050	7780		1765	–	3300*
7000	3250	8280		1965	–	2500*	



catliftruck@mcf.nl
www.catliftruck.com

CESC0697(10/04)ok
Copyright ©2004, MCFE. All rights reserved.
CATERPILLAR and CAT are registered trademarks of Caterpillar Inc.
Printed in The Netherlands

NOTE: Performance specifications may vary depending on standard manufacturing tolerances, vehicle condition, types of tyres, floor or surface conditions, applications, or operating environment. Trucks may be shown with non-standard options. Specific performance requirements and locally available configurations should be discussed with your Cat lift trucks Dealer. Cat Lift Trucks follows a policy of continual product improvement. For this reason, some materials, options and specifications could change without notice.